

Lynea

IP 66 and IP 67

Grazing and wall washing. Specification-grade modular system featuring high power LEDs. Power from 31W to 58W. Adjustable brackets. Modules lengths of 600, 900 and 1200 mm. Six high-precision beam angles including two elliptical distributions for striation-free lighting even at very close distance from the wall. Excellent uniformity. Four colour temperatures from 2200K to 6000K plus RGB and RGBW. wide choice of outputs, colour temperatures, colour-mixings, optics and control systems to enhance volumes and details. Lynea is the perfect fixture for private and public urban structures such as historical buildings and landmarks, office, commercial and residential buildings. Easy to position, installation-friendly. Through-wiring. Power supply unit on board. Control through DMX-RDM or DALI.





IP 66 and IP 67

wide choice of outputs, colour temperatures, colour-mixings, optics and control systems to enhance volumes and details.

Lynea is the perfect fixture for private and public urban structures such as historical buildings and landmarks, office, commercial and residential buildings.

Through-wiring. Power supply unit on board. Control through DMX-RDM or DALI.

Through-wiring, high output

This modular, in-ground system features about 50W per meter and a delivered efficiency of 135 lm/W. Maintenance 110000 hours. Ideal for grazing and wall washing. Linea features through-wiring and a recess profile in aluminium alloy. Power supply unit on board. IK 10.



	Lynea 600	Lynea 900	Lynea 1200
Input power	31 W	45 W	58 W
Source flux	3790 lm	5470 lm	7290 lm
Source efficiency	134 lm/W	135 lm/W	135 lm/W
Delivered flux	2840 lm	4100 lm	5470 lm
Delivered efficiency	91 lm/W	91.7 lm/W	93.8 lm/W
Net weight	5.7 lb (2.60 Kg)	7.3 lb (3.30 Kg)	8.8 lb (4 Kg)

IP rating

66 and 67

IK rating

10

Source type

High power LED

CRI

>80

MacAdam step

3

Source life time

>100.000hrs L70 B10 at 77°F ambient temperature

Power supply

Power supply unit on board

Light colour/CCT

2200K, 3000K, 4000K, 6000K, RGB, RGBW

Beam angles

10°, 30°, 50°, 12°x35°, 35°x12°, 80°

Light control

On/off, DMX-512A and RDM-compatible, DALI-compatible

Temperature limits

Working temperature: from -22°F to +122°F

Storage temperature: from -58°F to +176°F

Mounting

Surface

Construction

Extruded aluminium alloy, silicone sealing, tempered extra-clear sodium-calcium front glass, nickel-plated brass gland connector, pressure compensation valve

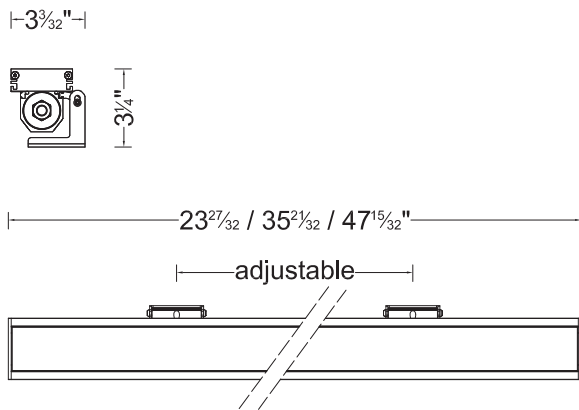
Connection

On/off: Through-wiring, power supply cable, length 5 29/32 in (0.15 m) with IP68 3-poles connectors, maximum line 900W or 328 5/64 ft (100 m)

DMX: Through-wiring, power supply and signal cable, length 5 29/32 in (0.15 m) with IP68 6-poles connectors, maximum line 900W or 328 5/64 ft (100 m)

DALI: Through-wiring, power supply and signal cable, length 5 29/32 in (0.15 m) with IP68 6-poles connectors, maximum line 900W or 328 5/64 ft (100 m)

Dimensions (mm.)



Photometrics

	Lynea 600	Lynea 900	Lynea 1200																																													
10°	<table border="1"> <tr><td>4000K</td><td>2m</td><td>12,8 klx</td></tr> <tr><td>51,2 kcd</td><td>5m</td><td>2050 lx</td></tr> <tr><td>2840 lm</td><td>10m</td><td>512 lx</td></tr> <tr><td>31 W</td><td>20m</td><td>128 lx</td></tr> <tr><td></td><td>50m</td><td>20,5 lx</td></tr> </table>	4000K	2m	12,8 klx	51,2 kcd	5m	2050 lx	2840 lm	10m	512 lx	31 W	20m	128 lx		50m	20,5 lx	<table border="1"> <tr><td>4000K</td><td>2m</td><td>18,5 klx</td></tr> <tr><td>73,9 kcd</td><td>5m</td><td>2960 lx</td></tr> <tr><td>4100 lm</td><td>10m</td><td>739 lx</td></tr> <tr><td>45 W</td><td>20m</td><td>185 lx</td></tr> <tr><td></td><td>50m</td><td>29,6 lx</td></tr> </table>	4000K	2m	18,5 klx	73,9 kcd	5m	2960 lx	4100 lm	10m	739 lx	45 W	20m	185 lx		50m	29,6 lx	<table border="1"> <tr><td>4000K</td><td>2m</td><td>24,6 klx</td></tr> <tr><td>98,6 kcd</td><td>5m</td><td>3940 lx</td></tr> <tr><td>5470 lm</td><td>10m</td><td>986 lx</td></tr> <tr><td>58 W</td><td>20m</td><td>246 lx</td></tr> <tr><td></td><td>50m</td><td>39,4 lx</td></tr> </table>	4000K	2m	24,6 klx	98,6 kcd	5m	3940 lx	5470 lm	10m	986 lx	58 W	20m	246 lx		50m	39,4 lx
4000K	2m	12,8 klx																																														
51,2 kcd	5m	2050 lx																																														
2840 lm	10m	512 lx																																														
31 W	20m	128 lx																																														
	50m	20,5 lx																																														
4000K	2m	18,5 klx																																														
73,9 kcd	5m	2960 lx																																														
4100 lm	10m	739 lx																																														
45 W	20m	185 lx																																														
	50m	29,6 lx																																														
4000K	2m	24,6 klx																																														
98,6 kcd	5m	3940 lx																																														
5470 lm	10m	986 lx																																														
58 W	20m	246 lx																																														
	50m	39,4 lx																																														
30°	<table border="1"> <tr><td>4000K</td><td>1m</td><td>9510 lx</td></tr> <tr><td>9510 cd</td><td>2m</td><td>2380 lx</td></tr> <tr><td>2750 lm</td><td>5m</td><td>380 lx</td></tr> <tr><td>31 W</td><td>10m</td><td>95,1 lx</td></tr> <tr><td></td><td>20m</td><td>23,8 lx</td></tr> </table>	4000K	1m	9510 lx	9510 cd	2m	2380 lx	2750 lm	5m	380 lx	31 W	10m	95,1 lx		20m	23,8 lx	<table border="1"> <tr><td>4000K</td><td>1m</td><td>13,7 klx</td></tr> <tr><td>13,7 kcd</td><td>2m</td><td>3430 lx</td></tr> <tr><td>3960 lm</td><td>5m</td><td>549 lx</td></tr> <tr><td>45 W</td><td>10m</td><td>137 lx</td></tr> <tr><td></td><td>20m</td><td>34,3 lx</td></tr> </table>	4000K	1m	13,7 klx	13,7 kcd	2m	3430 lx	3960 lm	5m	549 lx	45 W	10m	137 lx		20m	34,3 lx	<table border="1"> <tr><td>4000K</td><td>1m</td><td>18,3 klx</td></tr> <tr><td>18,3 kcd</td><td>2m</td><td>4580 lx</td></tr> <tr><td>5290 lm</td><td>5m</td><td>732 lx</td></tr> <tr><td>58 W</td><td>10m</td><td>183 lx</td></tr> <tr><td></td><td>20m</td><td>45,8 lx</td></tr> </table>	4000K	1m	18,3 klx	18,3 kcd	2m	4580 lx	5290 lm	5m	732 lx	58 W	10m	183 lx		20m	45,8 lx
4000K	1m	9510 lx																																														
9510 cd	2m	2380 lx																																														
2750 lm	5m	380 lx																																														
31 W	10m	95,1 lx																																														
	20m	23,8 lx																																														
4000K	1m	13,7 klx																																														
13,7 kcd	2m	3430 lx																																														
3960 lm	5m	549 lx																																														
45 W	10m	137 lx																																														
	20m	34,3 lx																																														
4000K	1m	18,3 klx																																														
18,3 kcd	2m	4580 lx																																														
5290 lm	5m	732 lx																																														
58 W	10m	183 lx																																														
	20m	45,8 lx																																														
50°	<table border="1"> <tr><td>4000K</td><td>50cm</td><td>18,2 klx</td></tr> <tr><td>4550 cd</td><td>1m</td><td>4550 lx</td></tr> <tr><td>2840 lm</td><td>2m</td><td>1140 lx</td></tr> <tr><td>31 W</td><td>5m</td><td>182 lx</td></tr> <tr><td></td><td>10m</td><td>45,5 lx</td></tr> </table>	4000K	50cm	18,2 klx	4550 cd	1m	4550 lx	2840 lm	2m	1140 lx	31 W	5m	182 lx		10m	45,5 lx	<table border="1"> <tr><td>4000K</td><td>50cm</td><td>26,3 klx</td></tr> <tr><td>6580 cd</td><td>1m</td><td>6580 lx</td></tr> <tr><td>4100 lm</td><td>2m</td><td>1640 lx</td></tr> <tr><td>45 W</td><td>5m</td><td>263 lx</td></tr> <tr><td></td><td>10m</td><td>65,8 lx</td></tr> </table>	4000K	50cm	26,3 klx	6580 cd	1m	6580 lx	4100 lm	2m	1640 lx	45 W	5m	263 lx		10m	65,8 lx	<table border="1"> <tr><td>4000K</td><td>1m</td><td>8770 lx</td></tr> <tr><td>8770 cd</td><td>2m</td><td>2190 lx</td></tr> <tr><td>5470 lm</td><td>5m</td><td>351 lx</td></tr> <tr><td>58 W</td><td>10m</td><td>87,7 lx</td></tr> <tr><td></td><td>20m</td><td>21,9 lx</td></tr> </table>	4000K	1m	8770 lx	8770 cd	2m	2190 lx	5470 lm	5m	351 lx	58 W	10m	87,7 lx		20m	21,9 lx
4000K	50cm	18,2 klx																																														
4550 cd	1m	4550 lx																																														
2840 lm	2m	1140 lx																																														
31 W	5m	182 lx																																														
	10m	45,5 lx																																														
4000K	50cm	26,3 klx																																														
6580 cd	1m	6580 lx																																														
4100 lm	2m	1640 lx																																														
45 W	5m	263 lx																																														
	10m	65,8 lx																																														
4000K	1m	8770 lx																																														
8770 cd	2m	2190 lx																																														
5470 lm	5m	351 lx																																														
58 W	10m	87,7 lx																																														
	20m	21,9 lx																																														
35°x12°	<table border="1"> <tr><td>4000K</td><td>1m</td><td>16,1 klx</td></tr> <tr><td>16,1 kcd</td><td>2m</td><td>4020 lx</td></tr> <tr><td>2750 lm</td><td>5m</td><td>643 lx</td></tr> <tr><td>31 W</td><td>10m</td><td>161 lx</td></tr> <tr><td></td><td>20m</td><td>40,2 lx</td></tr> </table>	4000K	1m	16,1 klx	16,1 kcd	2m	4020 lx	2750 lm	5m	643 lx	31 W	10m	161 lx		20m	40,2 lx	<table border="1"> <tr><td>4000K</td><td>1m</td><td>23,2 klx</td></tr> <tr><td>23,2 kcd</td><td>2m</td><td>5800 lx</td></tr> <tr><td>3960 lm</td><td>5m</td><td>929 lx</td></tr> <tr><td>45 W</td><td>10m</td><td>232 lx</td></tr> <tr><td></td><td>20m</td><td>58 lx</td></tr> </table>	4000K	1m	23,2 klx	23,2 kcd	2m	5800 lx	3960 lm	5m	929 lx	45 W	10m	232 lx		20m	58 lx	<table border="1"> <tr><td>4000K</td><td>2m</td><td>7740 lx</td></tr> <tr><td>31 kcd</td><td>5m</td><td>1240 lx</td></tr> <tr><td>5290 lm</td><td>10m</td><td>310 lx</td></tr> <tr><td>58 W</td><td>20m</td><td>77,4 lx</td></tr> <tr><td></td><td>50m</td><td>12,4 lx</td></tr> </table>	4000K	2m	7740 lx	31 kcd	5m	1240 lx	5290 lm	10m	310 lx	58 W	20m	77,4 lx		50m	12,4 lx
4000K	1m	16,1 klx																																														
16,1 kcd	2m	4020 lx																																														
2750 lm	5m	643 lx																																														
31 W	10m	161 lx																																														
	20m	40,2 lx																																														
4000K	1m	23,2 klx																																														
23,2 kcd	2m	5800 lx																																														
3960 lm	5m	929 lx																																														
45 W	10m	232 lx																																														
	20m	58 lx																																														
4000K	2m	7740 lx																																														
31 kcd	5m	1240 lx																																														
5290 lm	10m	310 lx																																														
58 W	20m	77,4 lx																																														
	50m	12,4 lx																																														
12°x35°	<table border="1"> <tr><td>4000K</td><td>1m</td><td>16,1 klx</td></tr> <tr><td>16,1 kcd</td><td>2m</td><td>4020 lx</td></tr> <tr><td>2750 lm</td><td>5m</td><td>643 lx</td></tr> <tr><td>31 W</td><td>10m</td><td>161 lx</td></tr> <tr><td></td><td>20m</td><td>40,2 lx</td></tr> </table>	4000K	1m	16,1 klx	16,1 kcd	2m	4020 lx	2750 lm	5m	643 lx	31 W	10m	161 lx		20m	40,2 lx	<table border="1"> <tr><td>4000K</td><td>1m</td><td>23,2 klx</td></tr> <tr><td>23,2 kcd</td><td>2m</td><td>5800 lx</td></tr> <tr><td>3960 lm</td><td>5m</td><td>929 lx</td></tr> <tr><td>45 W</td><td>10m</td><td>232 lx</td></tr> <tr><td></td><td>20m</td><td>58 lx</td></tr> </table>	4000K	1m	23,2 klx	23,2 kcd	2m	5800 lx	3960 lm	5m	929 lx	45 W	10m	232 lx		20m	58 lx	<table border="1"> <tr><td>4000K</td><td>2m</td><td>7740 lx</td></tr> <tr><td>31 kcd</td><td>5m</td><td>1240 lx</td></tr> <tr><td>5290 lm</td><td>10m</td><td>310 lx</td></tr> <tr><td>58 W</td><td>20m</td><td>77,4 lx</td></tr> <tr><td></td><td>50m</td><td>12,4 lx</td></tr> </table>	4000K	2m	7740 lx	31 kcd	5m	1240 lx	5290 lm	10m	310 lx	58 W	20m	77,4 lx		50m	12,4 lx
4000K	1m	16,1 klx																																														
16,1 kcd	2m	4020 lx																																														
2750 lm	5m	643 lx																																														
31 W	10m	161 lx																																														
	20m	40,2 lx																																														
4000K	1m	23,2 klx																																														
23,2 kcd	2m	5800 lx																																														
3960 lm	5m	929 lx																																														
45 W	10m	232 lx																																														
	20m	58 lx																																														
4000K	2m	7740 lx																																														
31 kcd	5m	1240 lx																																														
5290 lm	10m	310 lx																																														
58 W	20m	77,4 lx																																														
	50m	12,4 lx																																														
80°	<table border="1"> <tr><td>4000K</td><td>50cm</td><td>8270 lx</td></tr> <tr><td>2070 cd</td><td>1m</td><td>2070 lx</td></tr> <tr><td>2810 lm</td><td>2m</td><td>517 lx</td></tr> <tr><td>31 W</td><td>5m</td><td>82,7 lx</td></tr> <tr><td></td><td>10m</td><td>20,7 lx</td></tr> </table>	4000K	50cm	8270 lx	2070 cd	1m	2070 lx	2810 lm	2m	517 lx	31 W	5m	82,7 lx		10m	20,7 lx	<table border="1"> <tr><td>4000K</td><td>50cm</td><td>11,9 klx</td></tr> <tr><td>2990 cd</td><td>1m</td><td>2990 lx</td></tr> <tr><td>4060 lm</td><td>2m</td><td>746 lx</td></tr> <tr><td>45 W</td><td>5m</td><td>119 lx</td></tr> <tr><td></td><td>10m</td><td>29,9 lx</td></tr> </table>	4000K	50cm	11,9 klx	2990 cd	1m	2990 lx	4060 lm	2m	746 lx	45 W	5m	119 lx		10m	29,9 lx	<table border="1"> <tr><td>4000K</td><td>50cm</td><td>15,9 klx</td></tr> <tr><td>3980 cd</td><td>1m</td><td>3980 lx</td></tr> <tr><td>5410 lm</td><td>2m</td><td>995 lx</td></tr> <tr><td>58 W</td><td>5m</td><td>159 lx</td></tr> <tr><td></td><td>10m</td><td>39,8 lx</td></tr> </table>	4000K	50cm	15,9 klx	3980 cd	1m	3980 lx	5410 lm	2m	995 lx	58 W	5m	159 lx		10m	39,8 lx
4000K	50cm	8270 lx																																														
2070 cd	1m	2070 lx																																														
2810 lm	2m	517 lx																																														
31 W	5m	82,7 lx																																														
	10m	20,7 lx																																														
4000K	50cm	11,9 klx																																														
2990 cd	1m	2990 lx																																														
4060 lm	2m	746 lx																																														
45 W	5m	119 lx																																														
	10m	29,9 lx																																														
4000K	50cm	15,9 klx																																														
3980 cd	1m	3980 lx																																														
5410 lm	2m	995 lx																																														
58 W	5m	159 lx																																														
	10m	39,8 lx																																														

Dynamic Light

DMX

This protocol is used for all kinds of dynamic architectural lighting and is the perfect solution for RGB light scenes. It has a high data transmission speed (250.000 baud) and can control 512 independent addresses. Diamante's appliances use DMX-RDM, with bi-directional communication for diagnostics and remote addressing.

DALI

This protocol is mainly used for indoor lighting and characterised by a limited data transmission speed (1.200 baud). It can control small installations with simple dynamic programmes with slow scene changes. The DALI protocol can control up to 64 luminaires.

Codes

Lynea - 110 V On/off

Lynea 600	LNA06ABX111	2200 K	SW	narrow beam	(10°)	NB
Lynea 900	LNA09ABX111	3000 K	WW	medium beam	(30°)	MB
Lynea1200	LNA12ABX111	4000 K	NW	wide beam	(50°)	WB
		6000 K	CW	horizontal narrow	(35°x12°)	ON
				vertical narrow	(12°x35°)	VN
				flood	(80°)	FL

Lynea - 110 V DALI

Lynea 600	LNA06ABA111	2200 K	SW	narrow beam	(10°)	NB
Lynea 900	LNA09ABA111	3000 K	WW	medium beam	(30°)	MB
Lynea1200	LNA12ABA111	4000 K	NW	wide beam	(50°)	WB
		6000 K	CW	horizontal narrow	(35°x12°)	ON
				vertical narrow	(12°x35°)	VN
				flood	(80°)	FL

Lynea - 110 V DMX-512A

Lynea 600	LNA06ABD111	2200 K	SW	narrow beam	(10°)	NB
Lynea 900	LNA09ABD111	3000 K	WW	medium beam	(30°)	MB
Lynea1200	LNA12ABD111	4000 K	NW	wide beam	(50°)	WB
		6000 K	CW	horizontal narrow	(35°x12°)	ON
			RGB	RT	vertical narrow	(12°x35°)
		RGBW	RW	flood	(80°)	FL

Accessories

Light shields

C100373AOAN	shield Lynea 600	aluminium
C100374AOAN	shield Lynea 900	aluminium
C100375AOAN	shield Lynea 1200	aluminium

Cables

F400057NANT	On/off	leader cable	2m
F400019NANT	On/off	leader cable	5m
F400058NANT	On/off	leader cable	10m
F400020NANT	On/off	leader cable	20m
F400062NANT	On/off	jumper cable	0,5m
F400064NANT	On/off	jumper cable	1m
F400022NANT	On/off	jumper cable	2m
F400021NANT	On/off	jumper cable	5m
F400044NANT	DMX	leader cable	2m
F400023NANT	DMX	leader cable	5m
F400059NANT	DMX	leader cable	10m
F400024NANT	DMX	leader cable	20m
F400065NANT	DMX	jumper cable	0,5m
F400066NANT	DMX	jumper cable	1m
F400026NANT	DMX	jumper cable	2m
F400025NANT	DMX	jumper cable	5m
F400060NANT	DALI	leader cable	2m
F400043NANT	DALI	leader cable	5m
F400061NANT	DALI	leader cable	10m
F400063NANT	DALI	leader cable	20m
F400067NANT	DALI	jumper cable	0,5m
F400068NANT	DALI	jumper cable	1m
F400069NANT	DALI	jumper cable	2m
F400070NANT	DALI	jumper cable	5m