



Product code

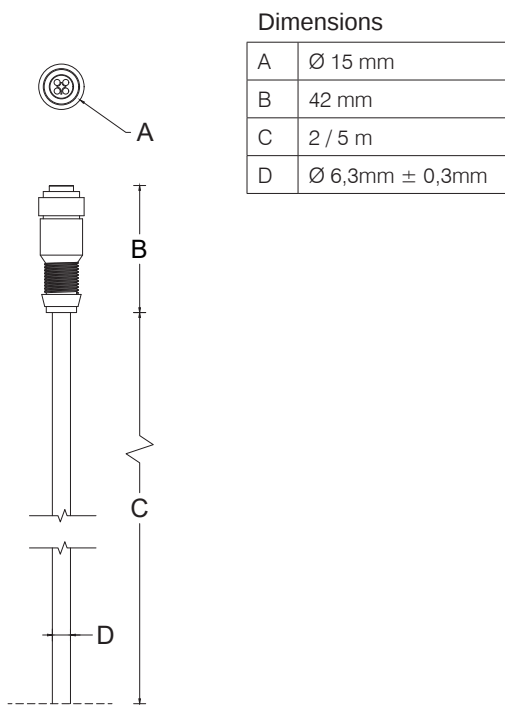
F400123NANT | (length 2m)

F400124NANT | (length 5m)

Description

On/Off / DMX / PWM leader cable

Technical drawing



Features

Number of poles	4
Contact marking	1 - 2 - 3 - 4
Max power Allowed (48Vdc)	400W
Operating voltage	24-48 Vdc

Connector

Protection (IP)	IP68
-----------------	------

Cable characteristics

Type	SPECIAL COMPOUND
No. of cores/conductors (mm ²)	2 x 1,5 ² + 2 x 0,5 ²
Cable diameter	Ø 6,3 mm ± 0,3 mm
Net weight	2m 0,13 Kg
	5m 0,31 Kg