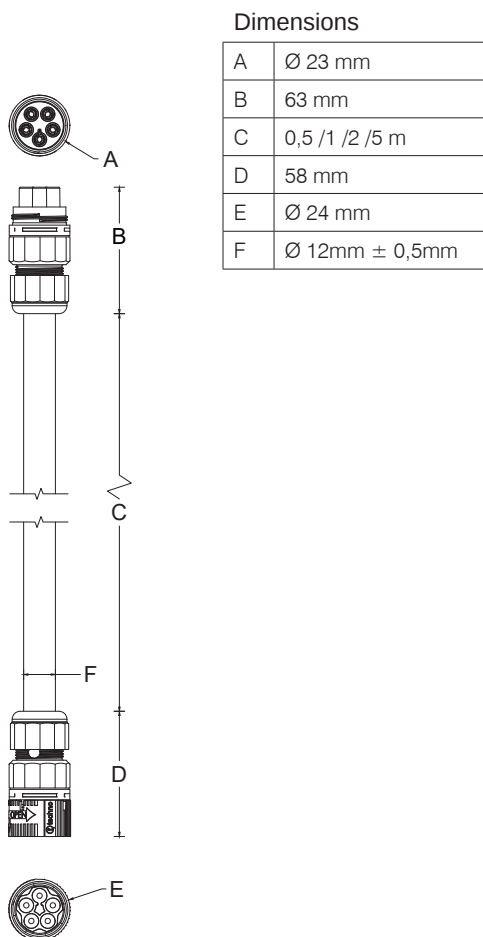



**Product code**

F400083NANT	(length 0,5m)
F400084NANT	(length 1m)
F400085NANT	(length 2m)
F400086NANT	(length 5m)

**Description**
**DMX jumper cable**
**Technical drawing**

**Features**

Number of poles	5
Contact marking	1 - 2 - 3 - 4 - 5
Type of connection	screw (M3 - max. 0,8 Nm)
Max power Allowed (48Vdc)	400W
Operating voltage	48Vdc max.

**Connector**

Protection (IP)	IP68
Corrosion resistance	Salt mist test : EN60068-2-11:2000

**Cable characteristics**

Type	PVC permanent immersion
No. of cores/conductors (mm <sup>2</sup> )	2x2,5+ (2x0.25 Shielded)
Cable diameter	Ø 12 mm ± 0,5 mm