



Product code  
**C600189ISNT**

Info

**Recess box**

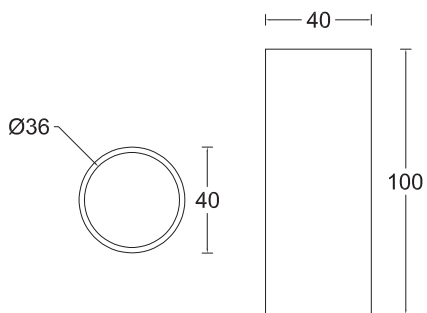
Used for:

STL01ANS000 (Stepped 1)

SQE01ANS000 (Square 1)

**Technical drawing**

---



**Construction**

---

stainless steel